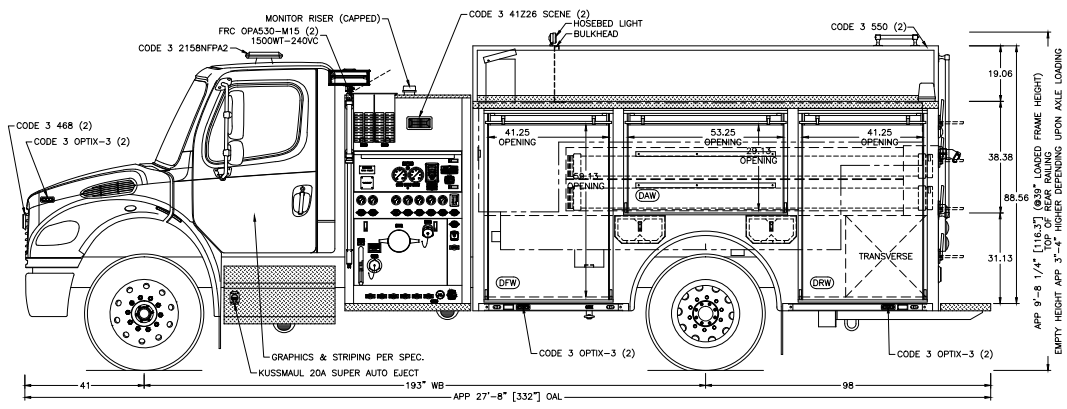
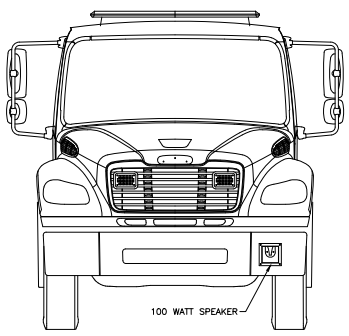
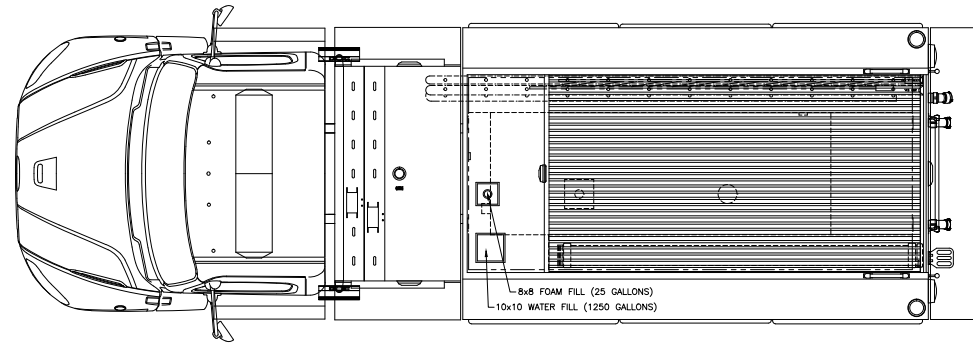


TREADBRITE TEXTURE NOT SHOWN IN TOP VIEW

REFERENCE SCALE IN INCHES

| COMP. | HEIGHT | WIDTH | USABLE DEPTH | | DWIDE | FT |
|-----------|--------|-------|--------------|-------|-------|-------|
| | | | UPPER | LOWER | | |
| DFW | 67.12 | 47.88 | 14 | 26 | 28 | 35.35 |
| DAW | 37.12 | 63.75 | 14 | - | - | 19.18 |
| DRW | 67.12 | 44.00 | 14 | 26 | 28 | 32.49 |
| DFW | 67.12 | 47.88 | 14 | 26 | 28 | 35.35 |
| PAW | 37.12 | 63.75 | 14 | - | - | 19.18 |
| PRW | 67.12 | 44.00 | 14 | 26 | 28 | 32.49 |
| R-1 | 44.00 | 44.00 | - | 30 | - | 33.62 |
| HOSEBED | 18 | 68 | - | 1.32 | - | 93.50 |
| FRONT XLY | 25.75 | 4.62 | - | 73.75 | - | 9.08 |
| REAR XLY | 25.75 | 4.62 | - | 73.75 | - | 5.08 |



NOTE:
 DIMENSIONS SHOWN ARE APPROXIMATE AND ARE SUBJECT TO MINOR CHANGE AS MAY BE FOUND NECESSARY DURING CONSTRUCTION. MINOR DETAILS MAY NOT BE SHOWN. IF DISCREPANCIES EXIST BETWEEN THIS DRAWING AND THE WRITTEN SPECIFICATIONS PROVIDED BY TOYNE, THE WRITTEN SPECIFICATIONS SHALL PREVAIL.

| | | |
|------------------------------|----------------------|-----------------|
| CHASSIS: FREIGHTLINER M2-106 | TOYNE FIRE APPARATUS | |
| WB-CA: 193"-127.4"-47" | BREDA, IOWA 51436 | |
| BODY: STAINLESS | 9652 DEMO | |
| PUMP: WATEROUS CXSC20 1250 | HQR PUMPER | |
| TANK: 1250/25 UPF POLY | SCALE: 1/66 | CAD BY: SCHMCHR |
| GENSET: HONDA EM5000 | DATE: 07 OCT 2010 | DISC: |
| FOAM: PRE-PIPE | | 9652HQRPM2-A |