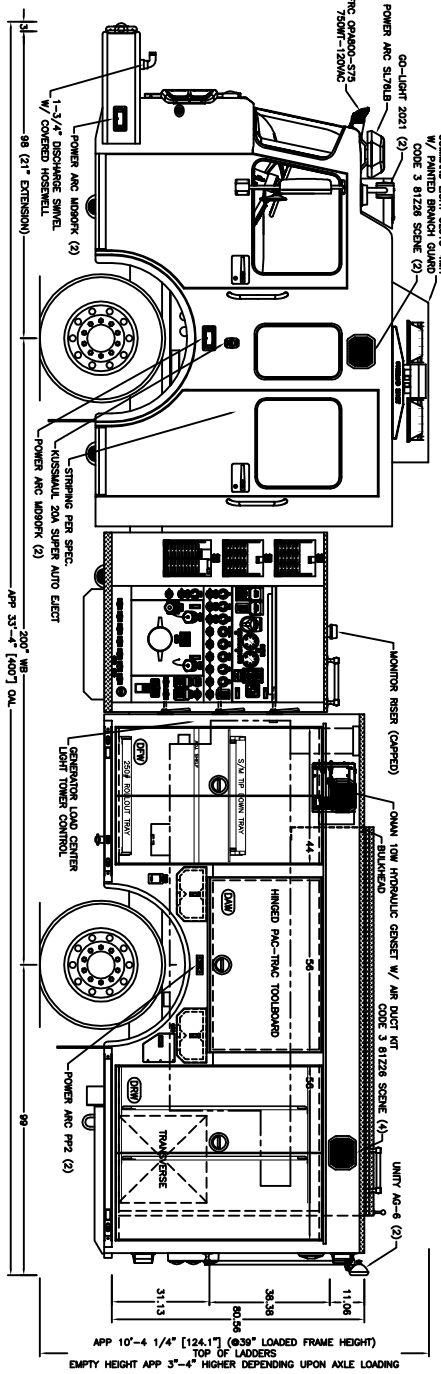
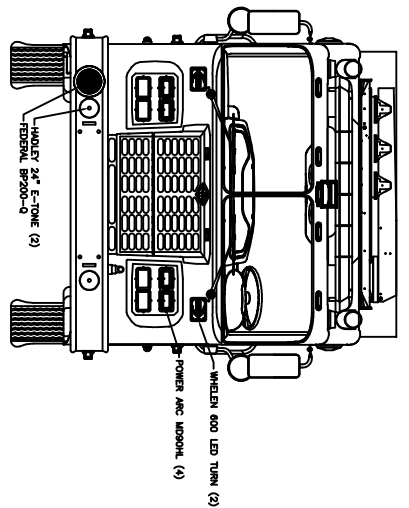
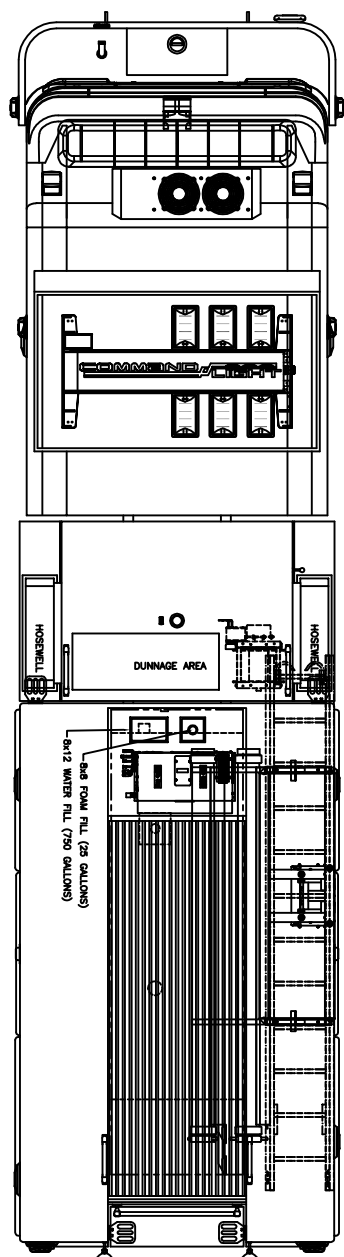


TREADBRITE TEXTURE NOT SHOWN IN TOP VIEW

REFERENCE SCALE IN INCHES

GROUP	0	10	20	30	40	USABLE DEPTH	DIVIDE
D.W.	67/12	47/8	3	4	5	1/8	48.36
D.W.	57/12	47/8	3	4	5	1/8	35.61
D.W.	67/12	47/8	3	4	5	1/8	56.55
P.W.	67/12	47/8	3	4	5	1/8	49.28
P.W.	67/12	47/8	3	4	5	1/8	56.55
R-1	44.00	44.00	44.00	44.00	44.00	3.0	33.62
HOSEBED	22	44	66	88	110	1.24	69.48
TOP SPEED	11.31	9.75	8.19	6.63	5.07	4.70	4.70
MID. SPEED	12.86	9.75	7.29	4.83	2.37	1.73	1.73
BOTTOM SPEED	12.86	9.75	7.29	4.83	2.37	1.73	1.73
							5.36

- LOCATION TO BE ATTACHED:
- DUAL SHEET TRACK (6 COMPONENTS)
 - 24" DEEP ADJUSTABLE SHEET (6)
 - 24" ROLLER TRACK (2)
 - 24" ROLLER TRACK (2)
 - VERTICAL ROLLER PERFORATED TOOL BOARD (2)
 - VERTICALLY HINGED PAC-TAC TOOL BOARD (1)



APP 10'-4 1/4" [124.1"] (830" LOADED FRAME HEIGHT)
55" LOADERS
EMPTY HEIGHT APP 3'-4" HIGHER DEPENDING UPON AXLE LOADING

NOTE:
DIMENSIONS SHOWN ARE APPROXIMATE AND ARE SUBJECT TO MINOR CHANGE AS MAY BE FOUND NECESSARY DURING CONSTRUCTION. IF DISCREPANCIES EXIST BETWEEN THIS DRAWING AND THE WRITTEN SPECIFICATIONS PROVIDED BY TOYNE, THE WRITTEN SPECIFICATIONS SHALL PREVAIL.

CHASSIS: SPARTAN GLADIATOR EMFD	TOYNE FIRE APPARATUS
WB-CA: 200"-140"-47"	BREDA, IOWA 51436
BODY: STAINLESS STEEL	9526 DEMO
PUMP: HALE QMAX 1500	CUSTOM PUMPER
TANK: 750/25 UPF POLY	
GENSET: ONAN 10KW HYDRAULIC	SCALE: 1/66 [GD BY: SCHMIDT]
FOAM: FOAM PRO 1600 "A"	DATE: 17 MAY 2010
	DISC: 9256NDEMO-4

5/25/10 -AS BUILT- BLK